

DESCRIPTION

- Stainless Steel with polishing
- Two methods for cover installation, i: cover+ marble; ii: cover
- With the clean and replaceable check valve device

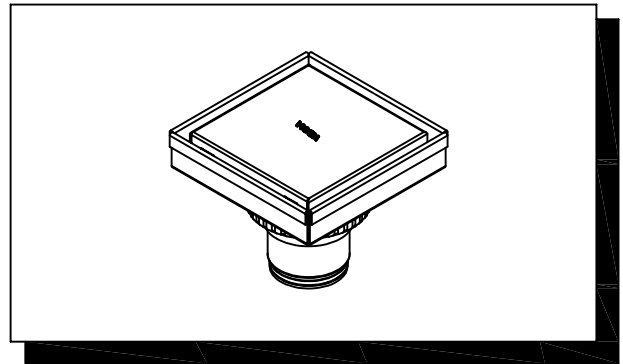
STANDARD

- Comply with GB/T 27710-2011
- Stainless Steel pass AASS 24H grade 10.
- Flow rate 0.55l/s

WARRANTY

- 5 years limited warranty except artificial damage and chemicals erosion

NOTE: ALL DIMENSIONS ARE IN MM.



High Flow Floor Drain(ST.ST)
Models:3968

Clean and replace step

