

MOEN® 摩恩

感应厨房龙头

安装说明书

Sensor Kitchen Faucet

INSTALLATION INSTRUCTIONS

如需安装支持，配件丢失等，请联系MOEN。
(中国) 400-630-8866
www.moen.cn

PLEASE CONTACT MOEN FIRST
For Installation Help, Missing or Replacement
Parts
(China) 400-630-8866
www.moen.cn

推荐工具

为了安全和让安装和替换变得容易，Moen建议您使用以下工具：

HELPFUL TOOLS

For safety and ease of replacement, Moen recommends the use of these helpful tools.

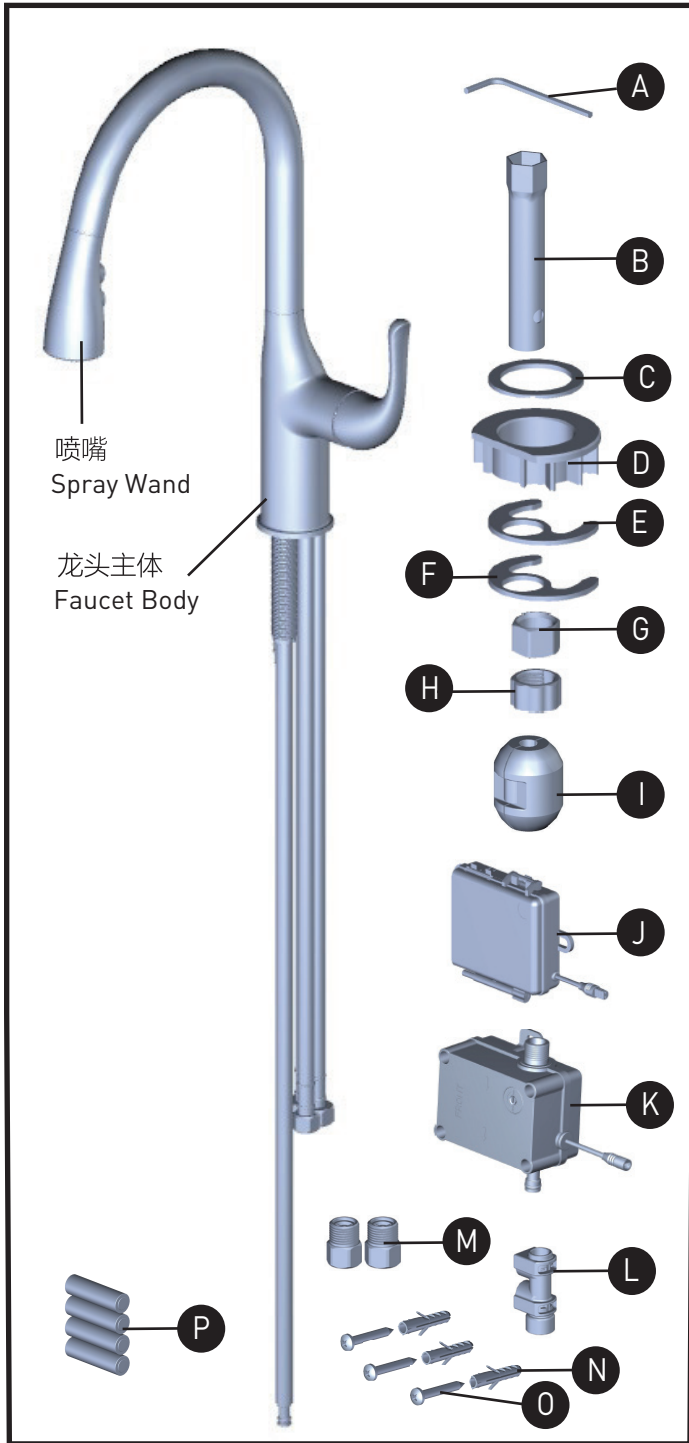


图片仅供参考
(款式因型号而异)

Image is for reference only
(Style varies by model)

记录购买的型号：
(保存安装说明书以备将来参考)

Record Purchased Model Number:
(Save instruction sheet for future reference)



零件清单

- A. 内六角扳手
- B. 套筒扳手
- C. 橡胶垫片
- D. 塑料垫片
- E. 橡胶垫片
- F. 不锈钢垫片
- G. 安装螺母
- H. 防撞螺母
- I. 配重块
- J. 电池盒
- K. 控制盒组件
- L. 快速接头
- M. 转接头
- N. 膨胀管
- O. 螺钉
- P. 电池

Parts List

- A. Allen Wrench
- B. Mounting Tool
- C. Rubber Gasket
- D. Plastic Gasket
- E. Rubber Gasket
- F. Mounting Washers
- G. Mounting Nut
- H. Hose Protector
- I. Hose Weight
- J. Battery Box
- K. Control Box Assembly
- L. Quick Connector
- M. Adaptor
- N. Expansion pipe
- O. Screw
- P. Battery



移除旧龙头注意事项:

拆除现有水龙头或拆卸阀门之前, 请务必先关闭供水。打开水龙头手柄以释放水压, 确保完全关闭水源。

CAUTION — TIPS FOR REMOVAL OF OLD FAUCET:

Always turn water supply OFF before removing existing faucet or disassembling the valve. Open faucet handle to relieve water pressure and ensure that complete water shut-off has been accomplished.

图标图例 Icon Legend



警告
Warning



水槽上方
Above sink

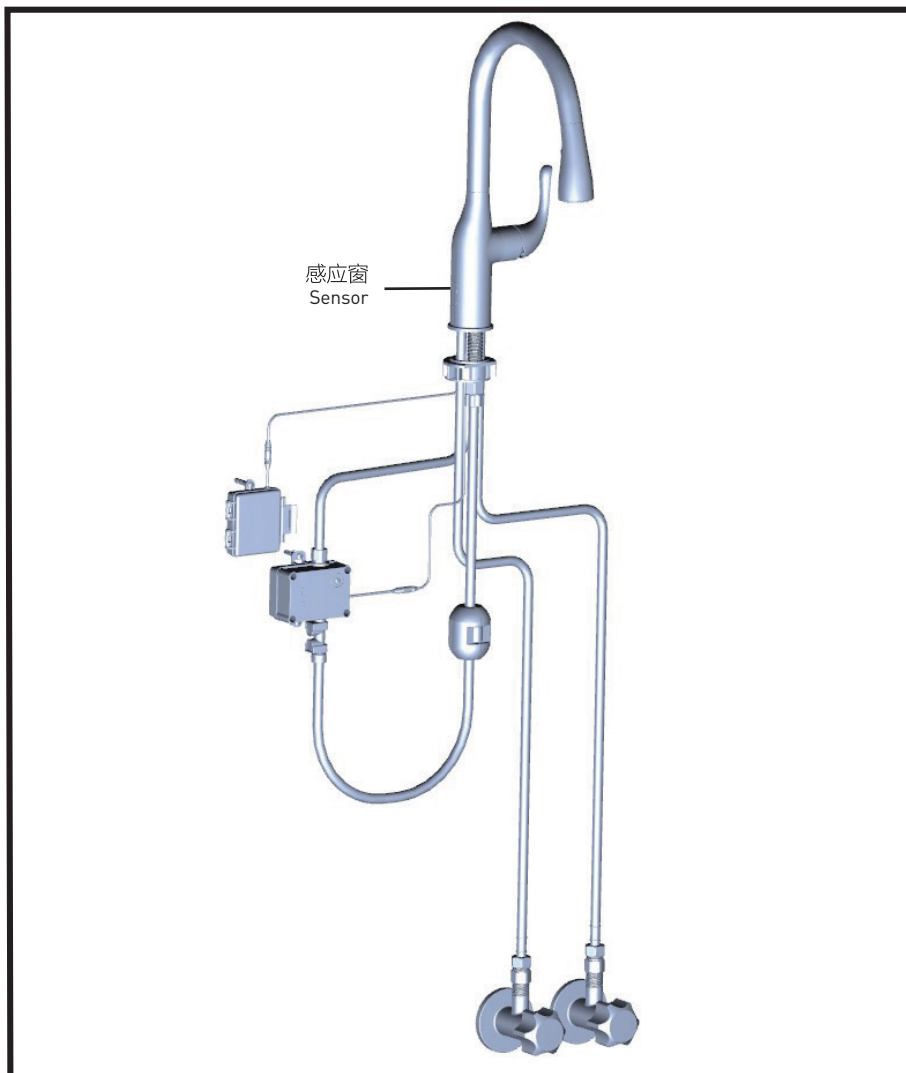


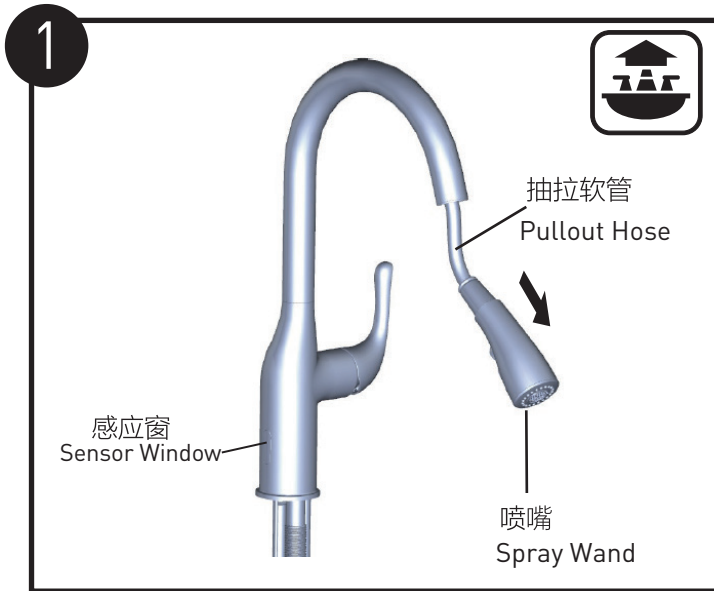
水槽下方
Below sink

产品规格 Product Specification

电源 Power Source	直流 6V (4节AA碱性电池) DC 6V (4 AA alkaline batteries)
	交流220V, 50/60Hz (选购) AC 220V, 50/60Hz (Option)
感应出水时间 Sensing Water Out Time	小于1秒 < 1 second
感应关水时间 Sensing Water Shut Off Time	小于1.5秒 < 1.5 second
感应距离 Sensing Distance	10cm 注意: 人手感应时, 感应距离约6cm。对不同物体和颜色, 感应距离会有所差异。 10cm Note: When the human hand is sensing, the sensing distance is about 6cm. For different objects and colors, the sensing distance will be different.
工作环境温度 Working Temperature	1°C-55°C
出水温度 Outlet Water Temperature	≤45°C
工作水压 Working Pressure	0.05Mpa-0.9Mpa

安装完成示意图 Installation Diagram





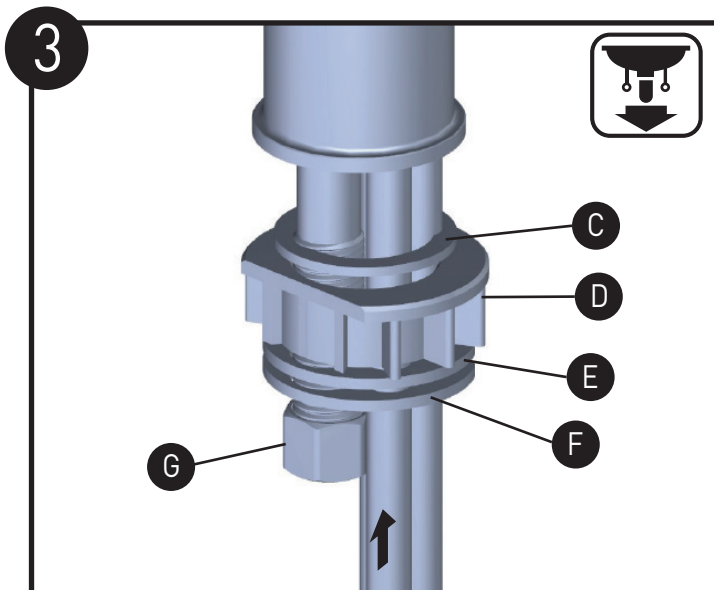
将抽拉软管及喷嘴拉出。

Pull out the Pullout Hose and Spray Wand.



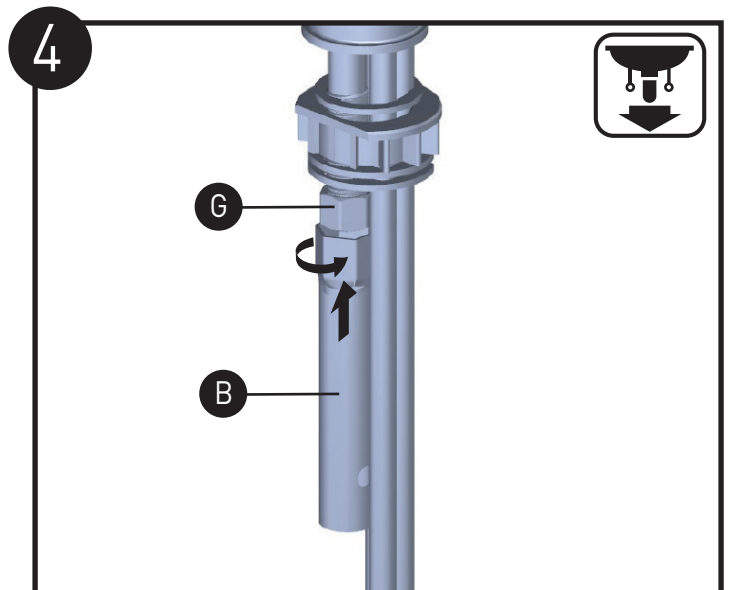
将水龙头主体装入安装孔。

Insert Faucet Body into opening.



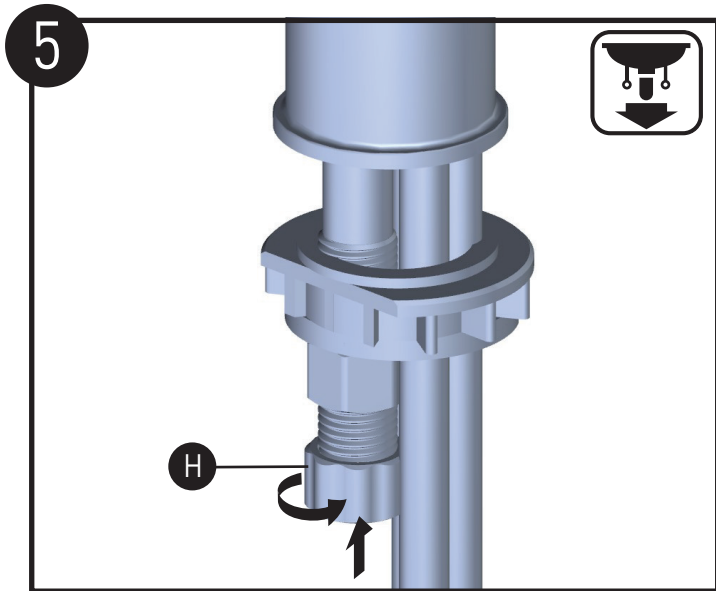
将橡胶垫片 (C)、塑料垫片 (D)、橡胶垫片 (E)、不锈钢垫片 (F)、安装螺母 (G) 按如图所示安装, 用手将安装螺母 (G) 固定。

Install the Rubber Gasket (C), Plastic Gasket (D), Rubber Gasket (E), Stainless Steel Gasket (F) and Mounting Nut (G) as shown. Tighten Mounting Nut (G) manually.



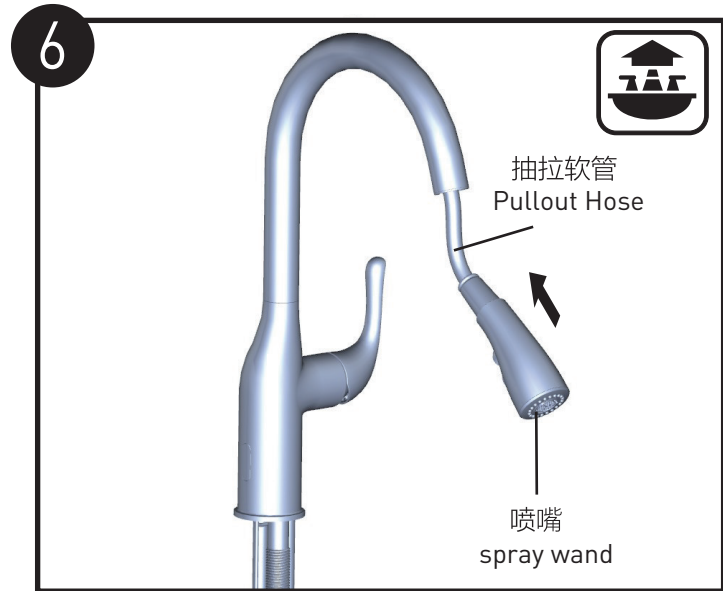
用套筒扳手 (B) 将安装螺母 (G) 旋紧。

Tighten the Mounting Nut (G) with Mounting Tool (B).



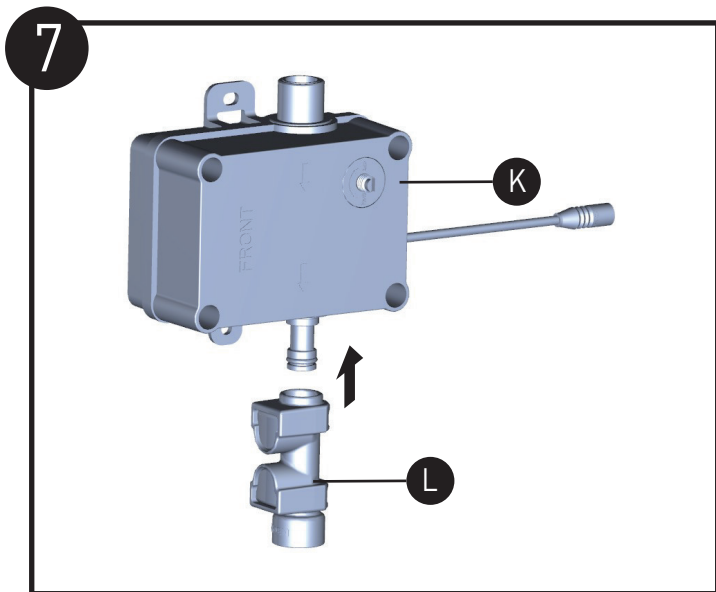
将防撞螺母 (H) 拧到安装杆的末端，用手拧紧。

Screw the Hose Protector (H) on to the end of shank as shown. Tighten the Hose Protector (H) manually.



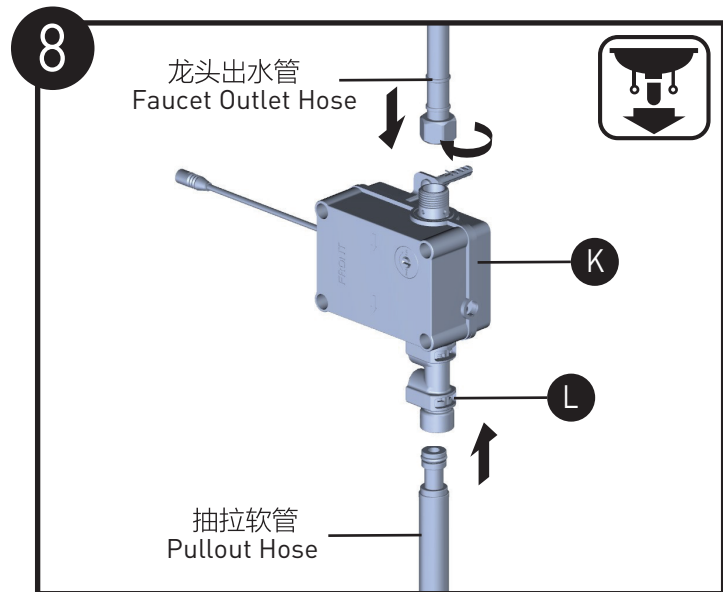
将抽拉软管及喷嘴重新装入。

Insert the Pullout Hose and Spray Wand.



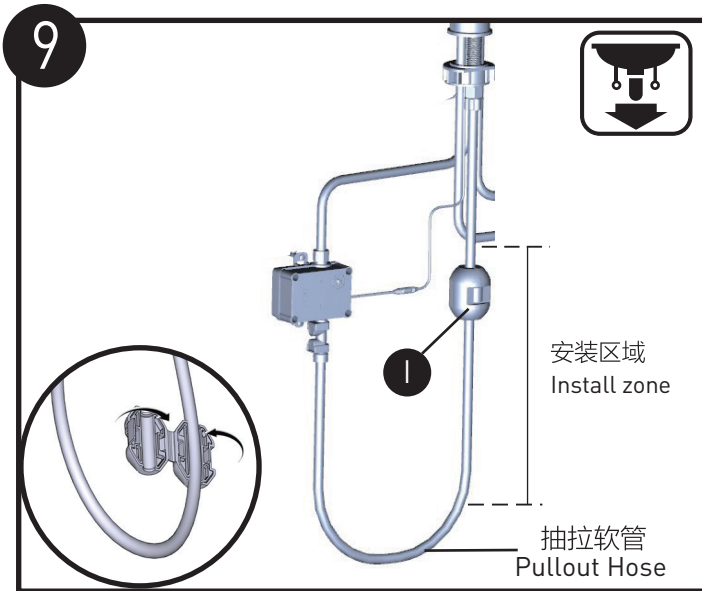
将快速接头 (L) 按图示插入控制盒组件 (K)。

Connect the Quick Connector (L) to the Control Box (K) as shown.



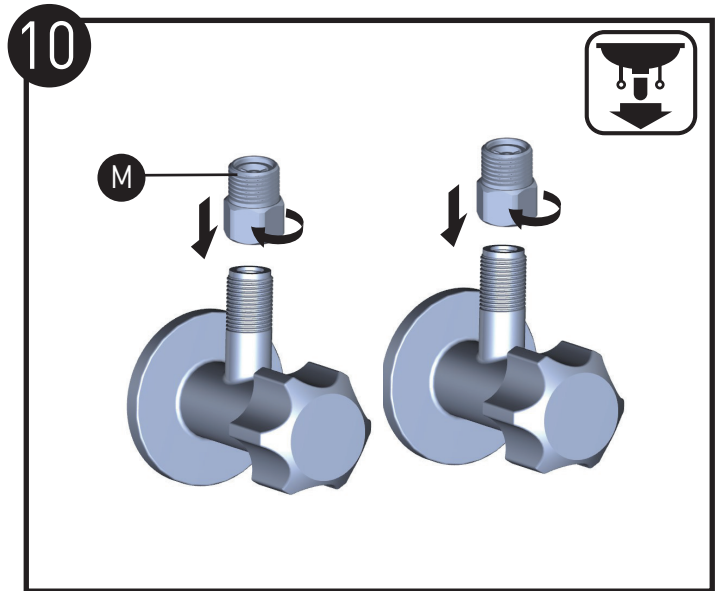
将龙头出水管与控制盒 (K) 连接。将抽拉管插入快速接头 (L)。

Connect the faucet outlet hose to Control Box (K). Connect pullout hose to Quick Connector (L).



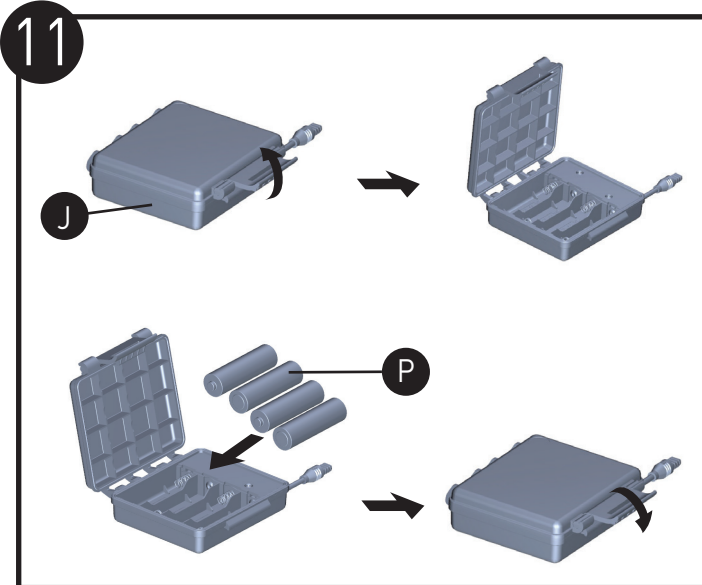
将配重块 (I) 固定在抽拉管上。注意: 安装配重块的时候请调整并保证抽拉功能的操作顺畅。

Install the Hose Weight (I) to the Pullout Hose. Note : After installation of Hose Weight, ensure that the pull-out function works well.



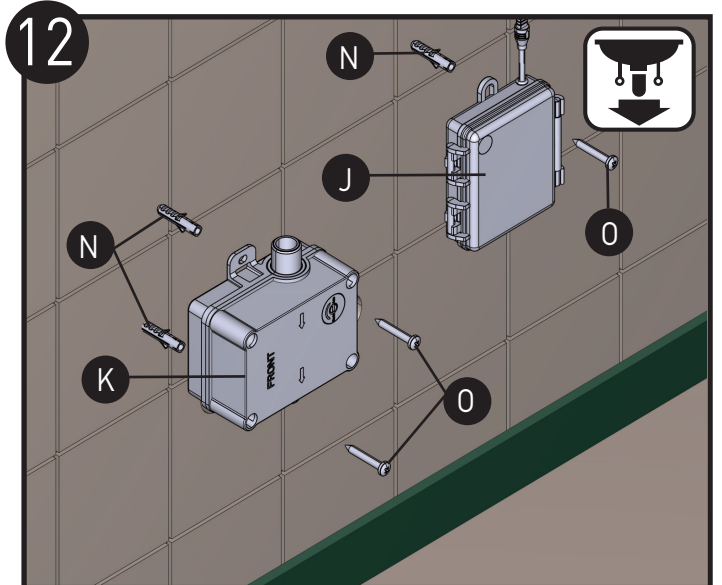
将转接头 (M) 安装到供水角阀上。

Fasten the Adapter (M) to the water supply angle valve.



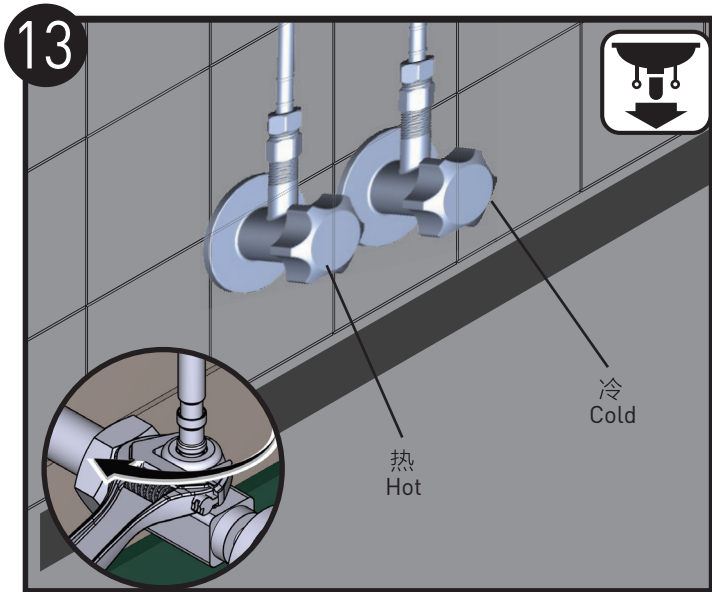
将电池 (P) 装进电池盒 (J)。注意正负极要对准。

Install the battery (P) into the Battery Box (J).
Note: Align the positive and negative poles of the battery.



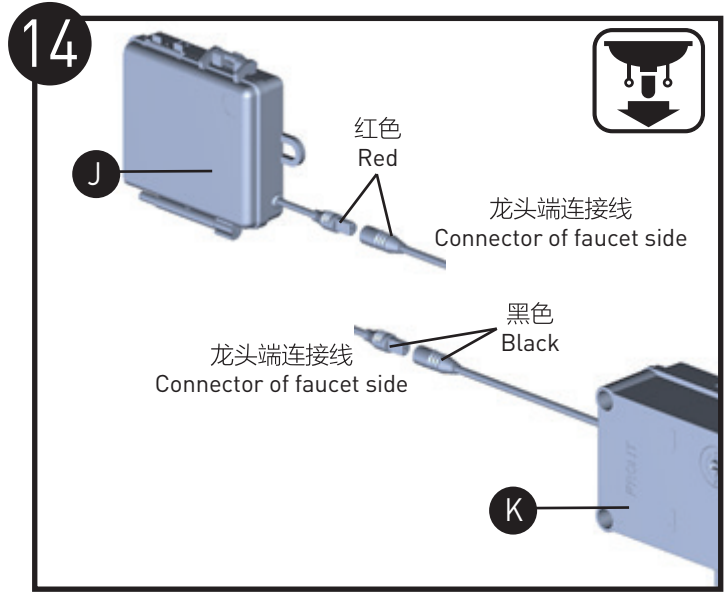
确定好控制盒 (K) 与电池盒 (J) 在墙上的位置, 钻孔插入膨胀管 (N), 拧上螺钉 (O), 固定控制盒 (K) 与电池盒 (J)。
注意: 安装位置需要预留抽拉软管拉出长度, 防止抽拉时软管过度弯折变形, 影响龙头出水和软管寿命。钻任何孔时, 请确保在您钻孔的地方没有隐蔽的管道和电缆!

Position Control Box (K) and Battery Box (J) on the wall, Mark and drill holes for Expansion pipe (N). Insert Expansion pipe (N) into the wall and mount Control Box (K) and Battery Box (J) using the screws (O).
Note: the pull-out length of the Pullout Hose should be reserved in the installation position to prevent the excessive bending deformation of the hose from affecting the faucet and hose life. Please ensure there no hidden service pipes and cables where you intend to drill.



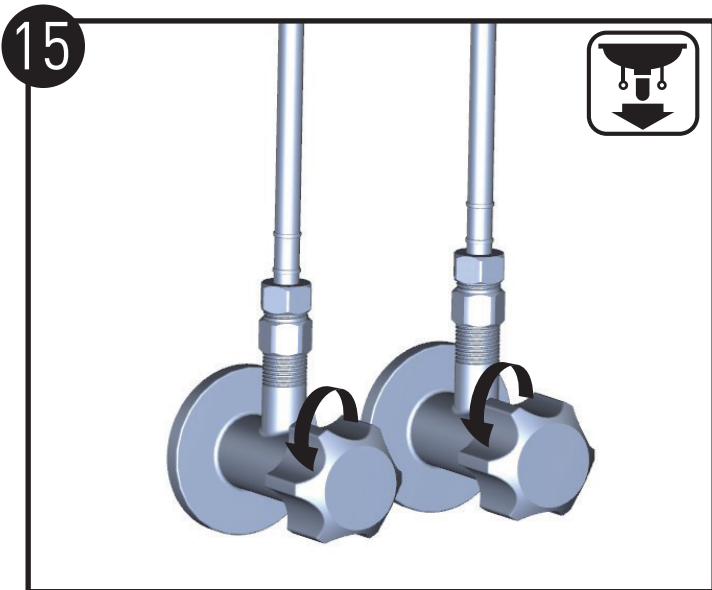
通过转接头 (M) 将水龙头冷热水管分别正确地连接到冷热进水口。用活动扳手锁紧。

Check that Hot&Cold Supply Hoses are connected correctly to water supply valve using the Adapter (M). Tighten with a adjustable wrench.



将龙头主体与控制盒 (K) 和电池盒 (J) 连接。

Connect the Faucet Body to Battery Box (J) and Control Box (K).

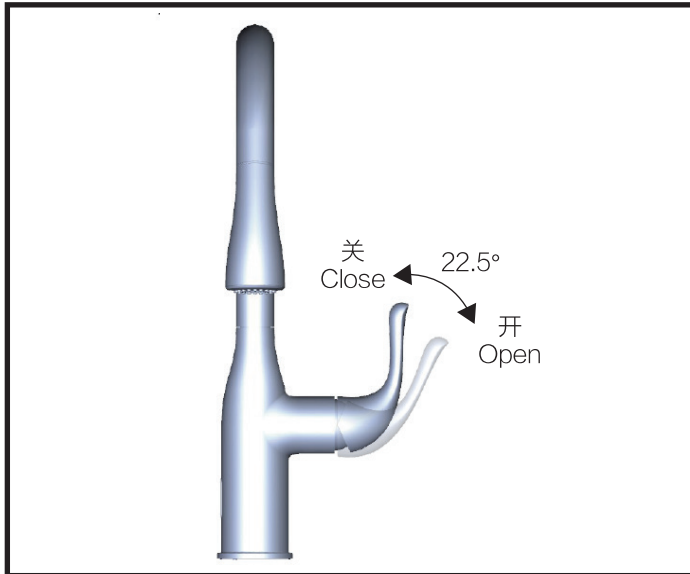


确认安装完成后，将供水打开。按龙头操作说明测试下龙头各功能是否正常。

After the installation, open the water supplies (Hot & Cold). test whether the functions of faucet according to the operation instructions.

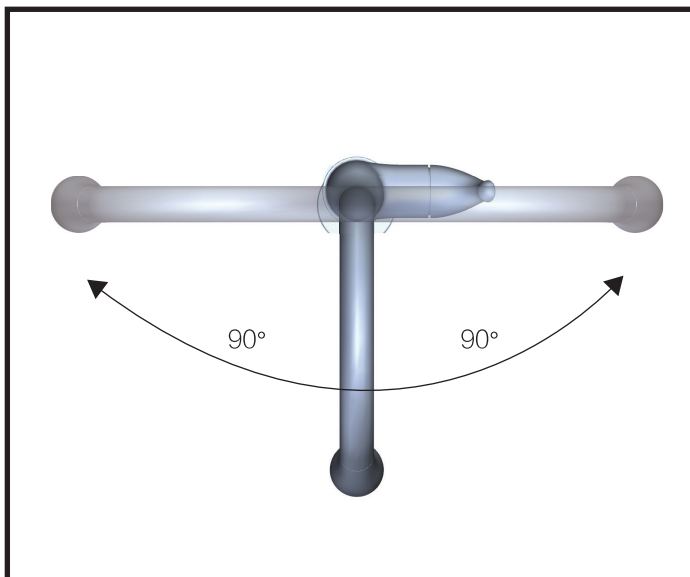
产品使用说明

- 把手开关角度为0-22.5°，温度调节角度为90°。
- 龙头推荐使用的旋转的角度为180°
注意：旋转超过该角度可能导致抽拉功能异常。



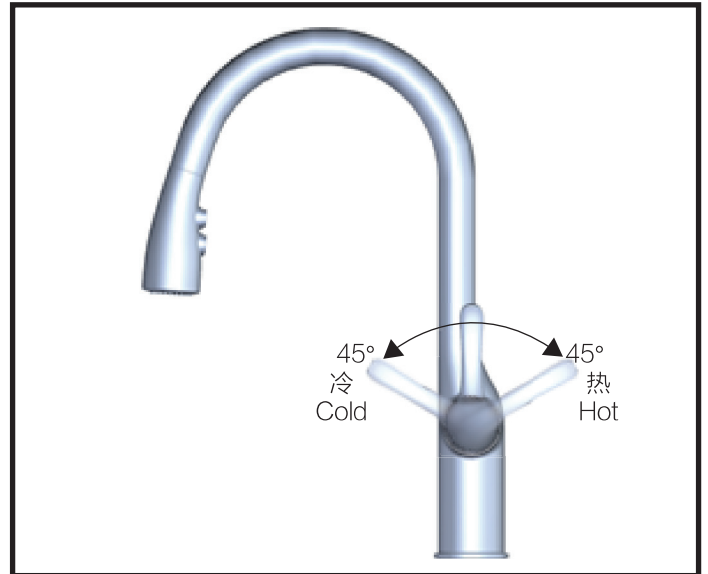
- 向外旋转把手至打开位置，在龙头左侧有感应窗，在感应距离内挥手，龙头开始出水再次挥手，龙头出水关闭。

注意：龙头在打开状态下，如果持续4分钟不操作后，龙头会自动关闭出水。



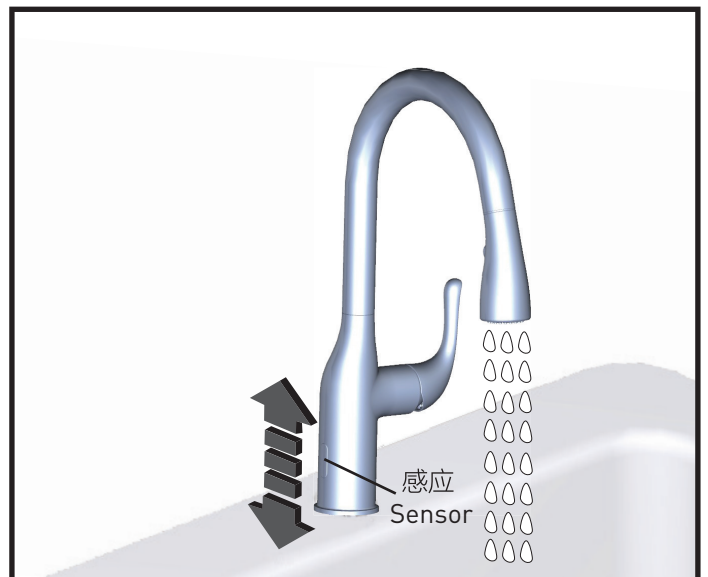
Usage Instructions

- The handle switch angle is 0-22.5°, and the temperature adjustment angle is 90°.
- The recommended rotation angle of the faucet is 180°.
Note: Rotation beyond this angle may cause abnormalities in the pull-out function.



- Turn the handle outward to the open position. There is a sensor window on the left of the faucet. Wave your hand within sensing distance, to turn water on. Wave again to turn water off.

Note: If water is left on, it will automatically turn off after 4 minutes of inactivity.



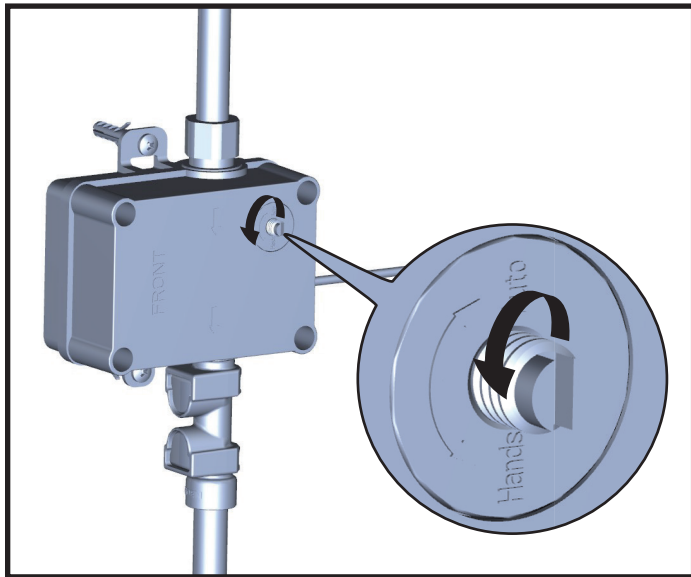
产品使用注意事项

• 应急旋钮

使用时，如发现龙头感应窗LED指示灯持续闪烁20s，说明电池电量不足，需要更换电池。电池电量耗尽又没有适配器连接的情况下，感应功能将失效。

可通过旋转控制盒的应急旋钮（往“Hands”方向逆时针旋转至顶，将旋钮旋出），使控制盒切换至常开状态，此时感应功能将关闭。龙头可通过把手控制。

注意：当电池更换好或接入适配器，需将旋钮复位，开启感应功能。开关旋钮时，不要过于用力。



Usage Precaution

• Emergency Knob

During use, if the LED indicator of the faucet sensor window continues to flash for 20s, it indicates that the battery is too low and needs to be replaced. When the battery is exhausted and there is no adapter connected, the sensing function will fail.

Turn the control box emergency knob counterclockwise to the end in the "Hands" direction, and turn the knob out to switch the control box to the open state. The sensing function is turned off at this time. Now the faucet can be controlled by the handle.

Note: When the battery is replaced or the adapter is connected, you must reset the knob to enable the sensing function. Don't push too hard when turning the knob on or off.

故障与诊断 Troubleshooting

故障现象 Symptoms	可能引起的原因 Probable Causes	解决方法 Solution
水龙头不出水。 Water does not come out.	供水角阀没有打开。 Water supply valve is not turned on.	打开角阀开关。 Turn on the water supply valve.
	控制盒电线未连接或未接好。 Power cable of control box is not plugged well.	接好控制盒电线。 Plug the power cable of adapter well.
	AC适配器未连接好。 AC adapter is not plugged well.	适配器接好。 Plug the power cable of adapter well.
	电池电量不足。 The battery is low.	更换电池。 Replace the battery.
	感应器未工作或损坏。 The sensor is not working or damaged.	保持感应窗清洁, 如未解决, 请联系客服或购买门店更换感应器。 Keep the sensor window clean, if not solved, contact customer service or the purchase store to replace it.
	感应器被深色物体干扰 The sensor is disturbed by dark objects	移开深色遮挡物, 如摘下深色橡胶手套。 Remove the dark rubber gloves.
龙头出水流量小。 Low flow.	软管堵塞。 The hose is clogged.	拆洗转接头, 去除滤网上的杂质。 Disassemble the adaptor and wash the hose to remove impurities on the filter.
	角阀未打开到位。 Water supply valve is not fully turned on.	将角阀全部打开。 Turn on water supply valve fully.
	喷嘴堵塞。 The spray wand is clogged.	将喷嘴旋下来, 冲洗干净。 Clean the spray wand to remove any possible debris.
龙头只出冷水或热水。 Water temperature is not as expected.	冷水或热水角阀未打开。 Either cold or hot water supply valve is not turned on.	将角阀全部打开。 Turn on both cold and hot water supply valve.
龙头无法完全关闭无法止水。 The faucet cannot be completely closed, and water cannot be stopped.	感应器窗口有异物或水珠。 Foreign objects or water droplets are on the sensor window.	擦除掉感应窗上的异物或水珠。 Wipe off foreign objects or water droplets from sensor window.
	电磁阀损坏。 The solenoid valve is damaged.	更换电磁阀。 Replace solenoid valve with a new one.
喷嘴抽拉不顺。 The spray wand is not pulling smoothly.	配重块位置不合适。 Wrong position of hose weight.	将配重块按说明书安装。 Install the hose weight according to the instructions.
	台下管件缠绕。 Under stage hose fittings winding.	梳理台下软管。 Organize under stage hoses.
喷嘴无法切换花洒水。 The spray wand cannot switch to shower water.	出水流量太小。 Outlet flow is too small.	a. 检查自来水压是否正常。 Check if the water pressure is normal. b. 检查把手是否全部打开。 Check if the handles are all open.
	喷嘴损坏。 The spray wand is damaged.	更换喷嘴。 Replace the spray wand.

产品售后保修条款

摩恩产品是在高质量标准及生产工艺下制造的，摩恩承诺为消费者购买的洁具产品提供有期限免费保修及终身维修服务。

龙头免费保修期为：阀芯5年，电磁阀感应器2年，其它附件如淋浴杆、软管、花洒、落水、把手、装饰盖、提拉杆、混水器等保修期均为1年有限。均自消费者购买日（以摩恩产品分销商开具的发票或收据上载明日期为准）起计。

免费保修范围为产品及产品配件（如淋浴杆、软管、花洒、落水、把手、装饰盖、提拉杆、混水器等）由于材质及工艺原因而造成的故障或损坏。免费保修期内，我们将无偿为您提供修理服务及更换发生故障的产品或产品配件。摩恩的售后服务责任仅限于对故障产品的修理，而不延及您因产品故障而发生的其他损失，法律另有规定的除外。

您需了解：产品外观碰伤、刻划痕迹，以及滥用及不正当保养所导致的故障或损坏，均不属于免费保修范围。即使在免费保修期内，属下列（1）-（5）情况之一的，需酌情收取修理费用：

1. 不能出示相符的保修卡和有效购买凭证情况的，
2. 未按使用说明告知的使用方法和注意事项造成的故障，
3. 自行拆卸、维修、改装所造成的故障和损坏，
4. 由于不可抗力等外部原因引起的故障和损坏，
5. 由于运输、搬运、挤压等造成的损坏。

对于保修期外或不在保修范围内的产品，如需维修，摩恩将酌情收取上门费、人工费及材料费。

本保修条款仅对原始消费者和酒店行业的购买者有效，并不适用于本产品工业、商业、贸易和非酒店行业的使用。

如对本保修条款内容有任何疑问，请拨打400 630 8866 咨询热线，或向当地分销商咨询。

MOEN LIMITED WARRANTY

We offer limited warranty and lifetime maintenance for Moen products, which are all manufactured with high standards of workmanship.

The period of warranty shall start from the date of purchase of the product (according to the invoice or receipt issued by Moen distributors) and shall cover a period of the following: the warranty period for cartridge is 5 years, the warranty period for solenoid valve sensor is 2 years, the warranty period of other accessories such as shower bar, hose, shower, drain assembly, handle, cover, lift rod, aerator etc. is 1 year.

This warranty is your coverage against material and workmanship malfunction or defects in Moen products or components (such as shower bar, hose, shower, drain assembly, handle, cover, lift rod, aerator etc.). During the warranty period, we offer free maintenance and changing of malfunctioned products or product components. Moen's after sales service liability is limited to the maintenance of faulty items and does not cover your other losses caused by product malfunction, except for otherwise stipulated by law.

Cosmetic damages (scratches, dents, etc.) and malfunction or defects caused by abuse or improper maintenance is not covered by this warranty. Although the warranty period remains valid, in case of the following conditions (1) - (5), the maintenance cost (material cost and labor cost) shall still be charged as the case may be:

1. Corresponding warranty card and valid invoice cannot be presented;
2. Faults were caused by the incompliance with the instructions and precautions provided in the user's manual;
3. Damages and faults were caused by self-actuated dismantling, repair and refit;
4. Faults and damages were caused by external factors such as force majeure;
5. Damages were caused by transportation, unloading and extrusion, etc.

This warranty is valid for the original consumers only (including hotel use), and excludes industrial and commercial use of the product (except for hotel use). This card is only responsible for product maintenance rather than any other liabilities.

In the event that the product requires maintenance but exceeds the warranty period, or that the product is not covered by this warranty, labor cost and material cost shall be charged as the case may be.

Please call 400-630-8866 or contact local dealer for any question.

MOEN® 摩恩

合格证 Compliance Certification

产品名称 感应厨房龙头
Product Name Sensor Kitchen Faucet

检验员
Inspector _____

生产日期
Date of Production _____

富俊汇赢科技（上海）有限公司
中国（上海）自由贸易试验区新杨公路
1800弄1号4幢207室
邮编：201413

Fortune Brands Innovations (Shanghai) Co., Ltd
Room 207, Building 4, No.1, Lane 1800, Xinyang Highway,
China (Shanghai) Pilot Free Trade Zone