

MOEN® 摩恩

规格书

处理器说明

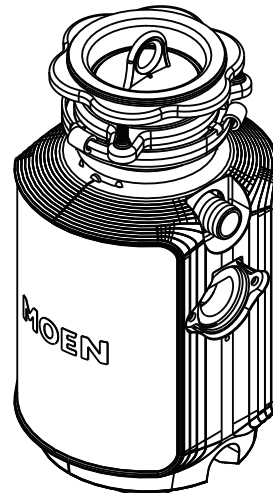
- 稳耐系列为强大的性能和可靠的功能而构建
- VORTEX™ 电机具有强大的研磨能力，可消除顽固的厨余碎屑
- VORTEXT™ 电机采用永磁电机技术，有助于减少堵塞
- 预装电源线-与必须单独购买电源线的型号相比，节省了成本，电源线可轻松拆卸以进行可选择的接线
- SoundSHIELD™隔音技术
- 紧凑的设计释放了水槽下的空间
- 不锈钢研磨部件适应连续投料
- 手动复位按钮
- 具备电磁兼容性能
- 垃圾处理减少了被送往垃圾填埋场的垃圾，使之成为您家的环保选择

包含的组件

- 处理器，带Universal Xpress Mount™装配环
- 预装电源线，支持硬线
- 可拆卸防溅罩
- 抛光不锈钢水槽法兰和塑料长柄水塞
- 排水弯头和安装组件
- MGX50MCL（空气开关）
- GD3152（无线自发电开关和移动插座）

维修和保障

- 5年上门服务
- 可与适当尺寸的排污系统安全使用
- 无线开关&空气开关3年保修

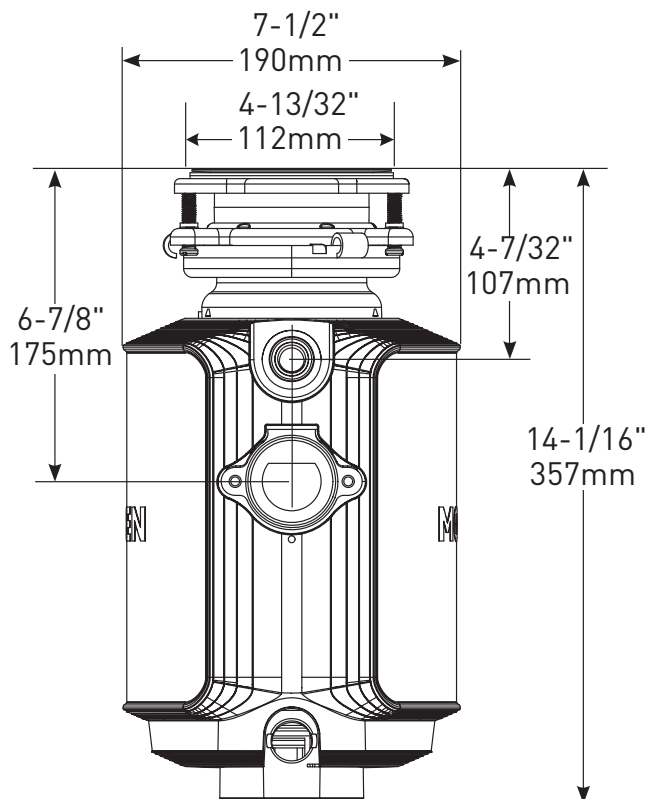


摩恩垃圾处理器

型号:MGX50MCL
GD3152



主要尺寸



规格说明

规格说明	
功率	MGX50MCL(475W) GD3152(550W)
投料类型	连续
开/关 控制	MGX50MCL（空气开关） GD3152（无线开关）
电机类型	永磁电机
转速（每分钟转速）	2600
重量	MGX50MCL(12.87 lbs./5.85 kg) GD3152(12.1 lbs./5.5 kg)
电压	220
频率/电流	50/2.25
排水管连接尺寸	G1 1/2 (D40)与G2 (D50)
洗碗机连接尺寸	7/8"/ 22mm
最大下沉厚度	1/2"/ 13mm
水槽法兰表面处理	抛光不锈钢
研磨组件材料	不锈钢
研磨腔材料	防腐玻璃填充聚酯和尼龙

MOEN® 摩恩

SPECIFICATIONS

Disposal Description

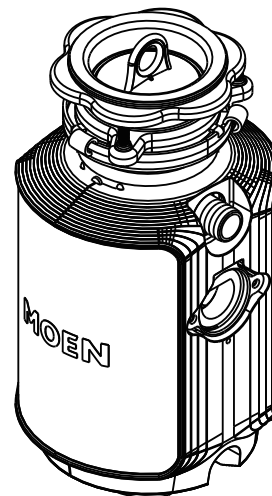
- Werner Series is built for powerful performance and dependable functionality
- VORTEXM™ Motor has powerful grinding capabilities to eliminate tough kitchen scraps
- VORTEXT Motor features permanent magnet motor technology designed to help reduce jamming
- Pre-installed power cord - a saving over models where cord must be purchased separately, cord easily removes for optional hardwiring
- SoundSHIELD™ sound deadening insulation
- Compact design frees up space under the sink
- Continuous feed with Stainless steel grind components
- Manual Reset Button
- Has EMC performance
- Garbage disposals reduce waste sent to landfills making it an eco-friendly option for your home

Included Components

- Disposal Unit with Universal Xpress Mount™
- Pre-installed Power Cord, Hardwire Capable
- Removable Splash Guard
- Polished Stainless Steel Sink Flange and Plastic Long Handle Drain Stopper
- Drain Elbow and Mounting Assembly
- MGX50MCL(Air Switch)
GD3152(Wireless Self-generating Switch and Mobile Socket)

Warranty & Assurance

- 5-year limited warranty with in-home service
- Safe for use with properly sized septic systems
- The remote switch & air switch has a separate 3 year warranty

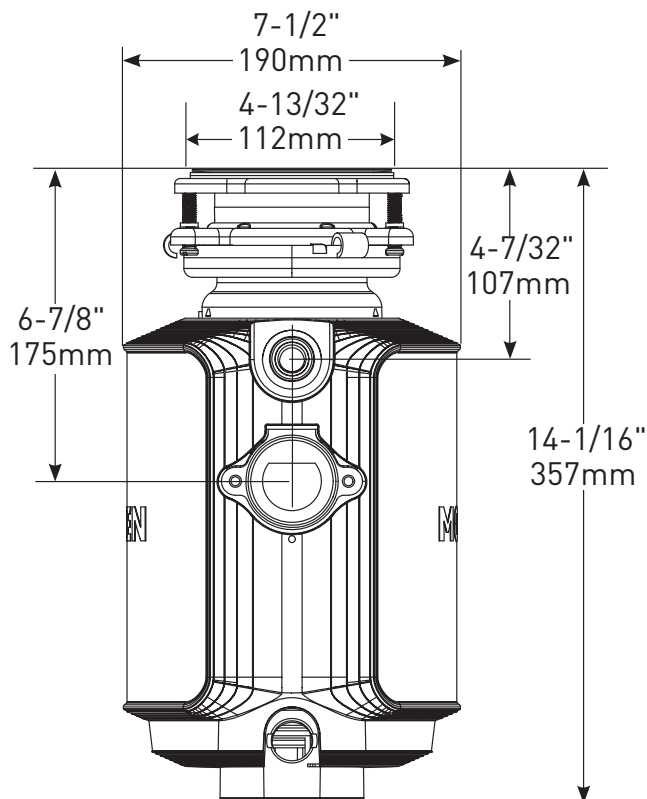


Moen Garbage Disposal

MODELS: MGX50MCL
GD3152



Critical Dimensions



Specification Detail	
Horsepower	MGX50MCL(475W) GD3152(550W)
Feed Type	Continuous
On/Off Controls	MGX50MCL(Air Switch) GD3152(Remote Switch)
Motor Type	Permanent Magnet Motor
RPM (Revolutions Per Minute)	2600
Weight	MGX50MCL(12.87 lbs./5.85 kg) GD3151(12.1 lbs./5.5 kg)
Volts	220
Hz/Amps	50/2.25
Drain Connection Size	G1 1/2 (D40) and G2 (D50)
Dishwasher Connection Size	7/8" / 22mm
Maximum Sink Thickness	1/2" / 13mm
Sink Drain Range Finish	Polished Stainless Steel
Grind Component Material	Stainless Steel
Grind Chamber Material	Corrosion Proof Glass filled Polyester and Nylon