

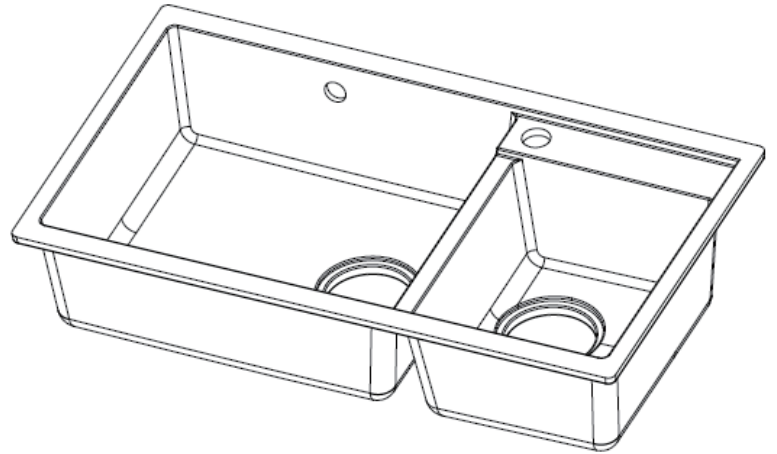
MOEN® 摩恩

花岗岩厨盆

安装说明书

Granite Sink

INSTALLATION INSTRUCTIONS



如需安装支持，配件丢失等，请联系MOEN。
(中国) 400-630-8866
www.moen.cn

PLEASE CONTACT MOEN FIRST
For Installation Help, Missing or Replacement
Parts
(China) 400-630-8866
www.moen.cn

推荐工具

为了安全和让安装和替换变得容易，Moen建议您使用以下工具：

HELPFUL TOOLS

For safety and ease of replacement, Moen recommends the use of these helpful tools.



图片仅供参考
(款式因型号而异)

Image is for reference only
(Style varies by model)

记录购买的型号：
(保存安装说明书以备将来参考)

Record Purchased Model Number:
(Save instruction sheet for future reference)

请注意仔细分清您所安装的厨盆为台上盆还是台下盆。

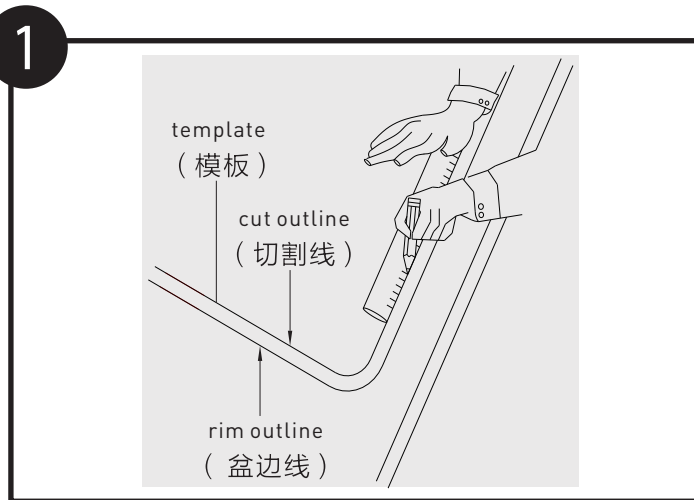
CAUTION: Please check whether the sink is self-rimming or undercounter installation.

台上盆安装说明

安装台的准备：清理掉所有脏物和会刮伤水槽边缘的杂物。

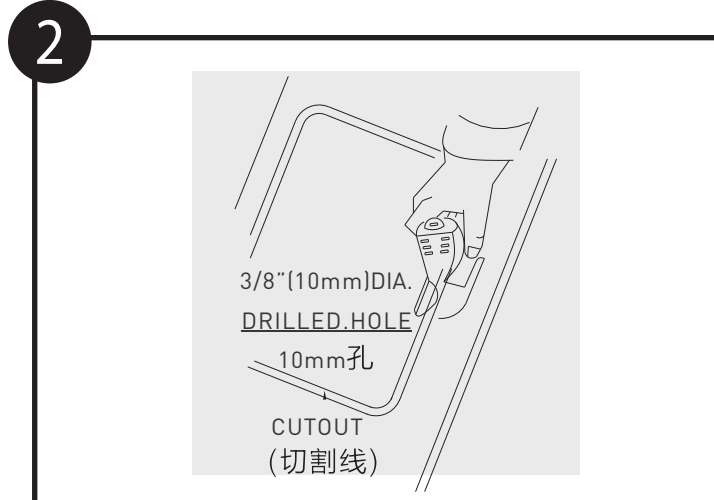
Self-rimming Installation

Prepare countertop by cleaning off all dirt and abrasives which could scratch sink rim.



将开孔板放置到要安装位置。小心：明确开孔的准确位置。沿开孔板上安装线边沿画线，不要使用擦不掉的记号笔。

Place the cut-out template in the position to be installed.
CAUTION: Identify the exact location of the opening. Draw a line along the edge of the topmount installation line of the template. Do not use indelible markers, etc., which can not be removed later.



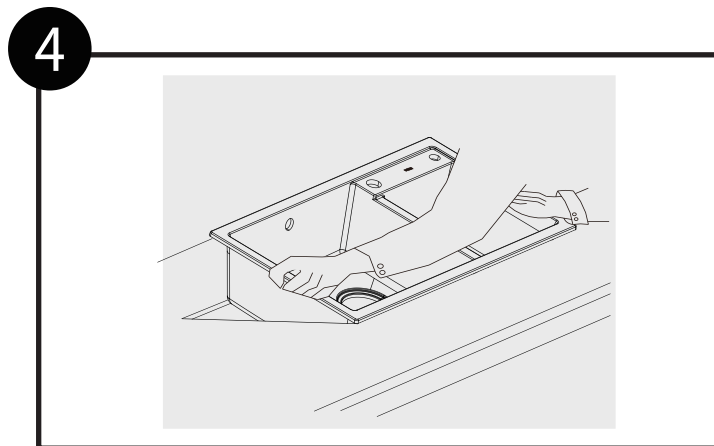
在切割线内侧钻一个直径为3/8"（10mm）的孔，用以放入切割锯的锯条，沿着所画的切割线切割出厨盆的位置。切割完时，请扶住切除部分以免切割口破裂，用砂纸打平切口处。在安装紧固前，把厨盆放入切口内用以检查切口大小入四角位置是否合适。

First drill a 3/8" (about 10mm) dia. hole for the saber saw blade on the inside edge of the cutout. Cut sink opening using the cutout line as your guide. Brace cutout portion as you complete cut to avoid splintering edge of hole. Sand edges smooth. Before installing clamps, check fit by placing sink in cutout. Make sure corners seat properly.



从轮廓线处填入透明的硅胶，胶水宽度为1/8"-1/4"（3.2-6.4mm），硅胶需连续铺满整个轮廓以保证台面封水。

Apply a light type of caulking compound completely around all edges of sink opening. Use 1/8"-1/4" (3.2-6.4mm) bead or compound.

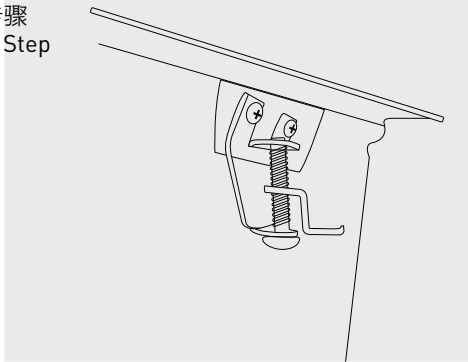


放置厨盆：将厨盆前缘紧贴台面开口处的前缘，再将厨盆缓慢放下。

Position sink by tilting back of sink up: Place front rim of sink close to front edge of sink opening, then lower back of sink into opening position carefully.

5

可选步骤
Optional Step



可选步骤：如果石槽没有挂钩，可直接跳过此步骤。
如果石槽带有挂钩，将紧固件从中间开始向两边逐个用手拧紧。
注：如有需要，紧固件下面可根据台面板厚度增加适当厚度的木板，达到紧固效果。

If the stone trough has no hooks, you can skip this step directly.
Hand tighten clamps, starting at center and working toward sides.

Note: If needed, put short wooden bar to adjust the gap between countertop and claw of clamps.

6

- ① 再次检查厨盆在台面上的位置。
- ② 把台面上的复合胶以及铅笔划痕清除干净。
- ③ 用湿布或海绵和温和的清洁剂去除厨盆上的任何油渍和手印，可掺入一些磨料，轻轻擦洗。
安装完毕。

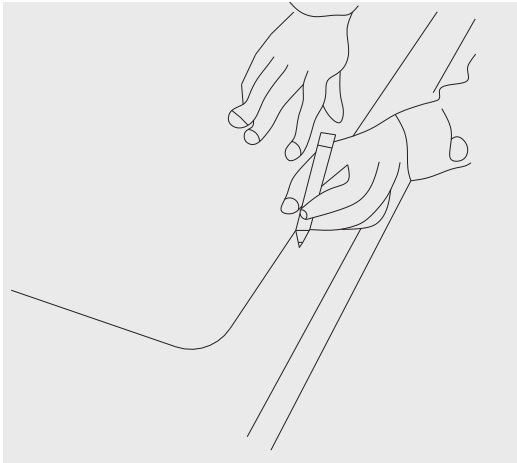
- ① Re-check the sink position on countertop.
- ② Clean up all excess caulking and pencil marks from countertop.
- ③ Use a wet cloth or sponge and a mild detergent to remove any grease or fingerprint from sink.

Rub gently with the grain. Installation is now complete.

台下盆安装说明

注意：以下安装适用于大理石台面。

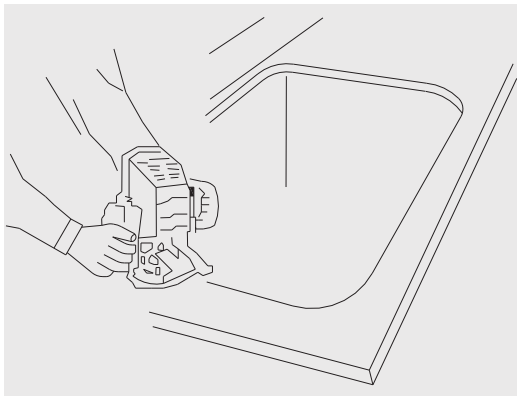
1



将您的厨具台面清洁干净，把所提供的开孔板放在厨具台面需要安装水槽的合适位置上。按住开孔板，用记号笔按开孔板台下安装开孔画线。**注意：不要用擦不掉的记号笔。**

Prepare countertop by cleaning off all dirt and abrasives. Position the provided cut-out template on countertop in desired position. Hold the template in place. Draw a line along the edge of the undermount installation line on the template. **CAUTION: Do not use indelible markers etc. which cannot be removed later.**

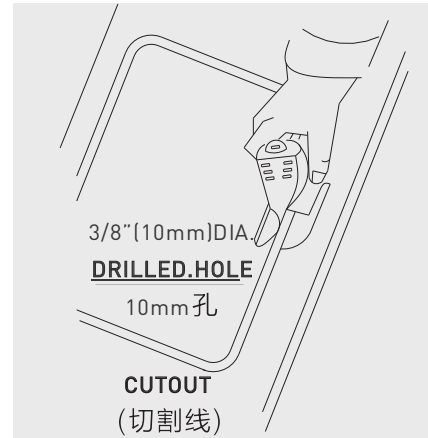
3



用修边机，锉刀和砂纸修平切口边缘，修出所需圆角。

Make opening edges and desired round corners smooth with a grinder, files, and sandpaper.

2



拿开开孔板。在切割线内侧钻一个直径为3/8英寸（10mm）的孔，用以放入切割锯的锯条。沿着所划的切割线，切割出厨盆安装口。在切割完时，请扶住切割部分以免切割口爆裂。

Remove the template. Drill a 3/8" (10mm) dia. hole for the saber saw blade on the inside edge of the cutout. Cut sink opening using the cutout line as your guide. Brace cutout portion as you complete cut to avoid splintering edge of hole.

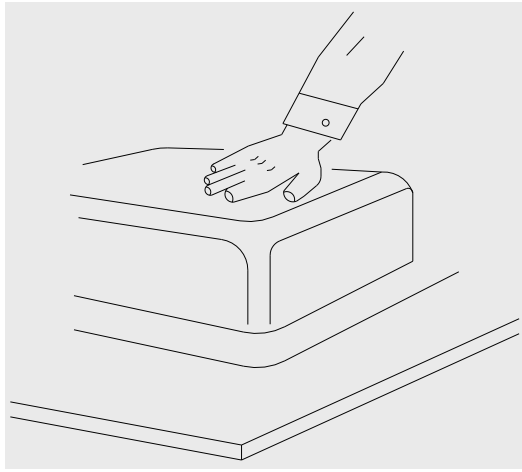
4



把台面翻转，在距切口周边大约1/4英寸（6.4mm）处涂上宽度为1/8-1/4英寸（3.2-6.4mm）的大理石专用胶。太多的复合胶会造成厨盆密封困难。同时，准备一些2英寸（50mm）宽的大理石条。

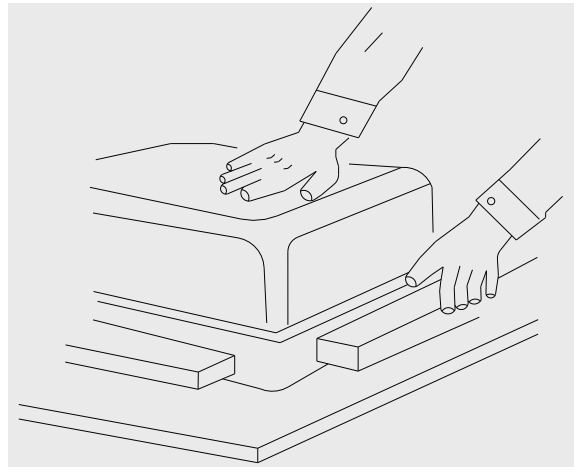
Turn the countertop upside down, and apply marble sealant which is 1/8" to 1/4" (3.2 to 6.4mm) wide around all edges of sink opening towards approximately 1/4" (6.4mm) from cutout. Too much sealants will make sink difficult to seal. At the same time, prepare several pieces of 2 inch (50mm) wide marble bars.

5



将厨盆粘贴在您的厨柜台面上，并对准位置。
Stick the sink on countertop and position them.

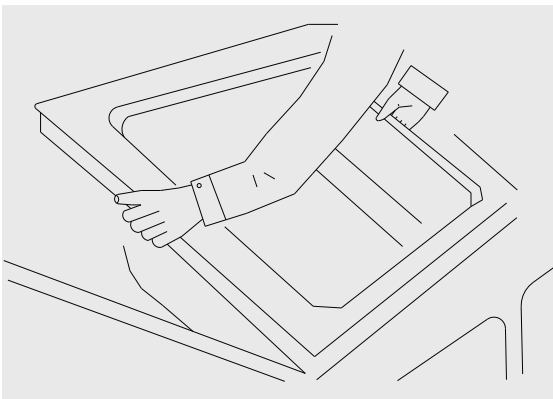
6



在大理石条上涂上复合胶，将它们粘贴在厨盆四周边缘，并加压力，保证石条压住盆边3/8-1/2英寸（10-12mm）。

Apply caulking compound on the marble bars. Stick them to the rim of sink, and then put weight on them. Make sure that the marble bars cover 3/8" to 1/2" (10 to 12mm) of the rim.

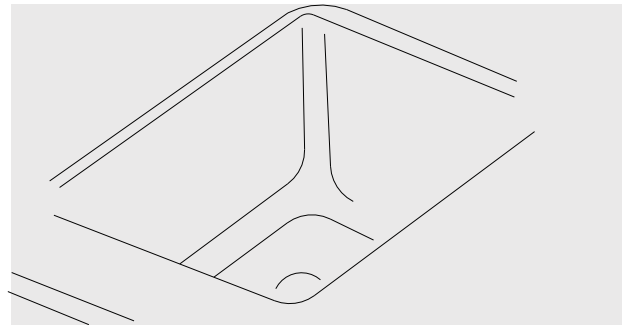
7



粘结牢固后，将装好厨盆的台面翻转，并安装在橱柜上。

After the caulking get secure, turn over the countertop with the sink and install it in position.

8



清除台面上的粘胶，用湿布或海绵和温和的清洁剂去除厨盆上的任何油渍和手印，可掺入一些磨料，轻轻擦洗。安装完毕。

Clean up all excess caulking and pencil marks from countertop. Use a wet cloth or sponge and a mild cleanser to remove any grease or fingerprints from sink. Rub gently with the grain. Installation is now complete.

免责声明

质保不适用于所有情况，包括不是我方直接造成的产品不符或缺陷，特别是在以下情况：

- 不适当、不正确、疏忽、非家用和/或忽视产品性能的使用。
- 在户外环境安装、储藏、使用产品。
- 因为不正确使用而造成的划伤、痕迹或摩擦。
- 因为使用时间，水槽的正常退化。
- 未遵守产品的安装说明和/或维护说明操作。
- 在安装、连接排水系统和准备使用条件时，购买者自行和/或由非专业人员和/或无授权人员进行不正确干预和/或维修。
- 在搬运和/或运输过程中发生的损坏和/或故障，例如但不限于篡改、刮擦、凹痕、故障。
- 因管道冻结和/或异物造成的损坏或缺陷。
- 由于使用不合适的清洁剂（腐蚀性、高碱性产品不适合定期维护水槽）或高钙化的水流造成的污渍。
- 由于意外和不可预见事件造成的产品缺陷，不包括此类缺陷可追溯到产品制造过程（例如但绝不限于此，意外事件和/或不可抗力，特殊气候原因，如电击和雷电、故意破坏，火灾等）。
- 使用非原厂部件和/或备件而影响产品功能和合规性。

保养建议

- 每天使用之后擦干产品表面，避免长时间积水，形成水垢。
- 不要在产品上使用含碱清洁剂和腐蚀性液体（如氨水、氢氧化钠水溶液、管道疏通液）。
- 勿使用钢丝球清除污垢残留，以免损坏表面。
- 勿直接在产品表面进行切割或剁碎，这可能会造成不可修复的划痕（建议使用砧板）。
- 避免意外冲击，造成不可恢复的微小损伤。
- 勿将咖啡壶和热锅直接放在水槽表面：可能会在放置处形成变色和/或伤害性污渍。

Exception Clause

The warranty does not apply in all cases, including product nonconformity or defects not directly caused by us, especially in the following cases:

- Misuse or inappropriate, negligent, non-domestic and/or careless use of the product.
- Installation, storage or use of the product outdoors.
- Scratches, chafe marks or scuffing caused by inappropriate use.
- Normal wear and tear of the sink, in relation to the period over which it has been used.
- Failure to comply with the instructions for installation of the product and/or the instructions for maintenance.
- Interventions and/or repairs performed by the customer and/or by non-specialised and/or unauthorised persons intended to install the product, connect drainage systems and prepare the product to meet conditions for use.
- Damage and/or loss occurring during handling and/or transport such as but not limited to tampering, scratches, dents and malfunctions.
- Damage and defects caused by freezing and/or foreign bodies present in pipes.
- Build-up of stains and/or rust caused by the use of unsuitable detergents (products that are aggressive or highly alkaline, not indicated for the regular maintenance of the sink) or through the use of hard water.
- Defects in products caused by unforeseen and unforeseeable events, where these defects are not related to the Product manufacturing process (including but not limited to events caused by acts of God and/or force majeure, extraordinary weather events such as electrical discharges and lightning, acts of vandalism, fires, etc.).
- Use of non-original components and/or spare parts that could compromise the function and compliance of the product.

Care and Cleaning

- Dry the surface of the product every day to avoid prolonged exposure to water that could lead to the build-up of limescale.
- Do not use detergents that contain alkaline substances and aggressive liquids (such as ammonia, caustic soda or drain cleaners).
- Do not remove traces of dirt using steel scourers or abrasive sponges that could damage the surface.
- Do not cut or chop directly on the surface of the product because this could cause irreparable scratches (the use of a chopping board is recommended).

- 在将沸腾液体倒入水槽前，必须首先打开冷水龙头，并在水槽底部灌满至少1厘米，否则会损害产品。
- 为了防止水垢污渍的形成，我们建议每周至少进行一次除垢处理，尤其是深色水槽。
- 包装材料（塑料袋、发泡聚苯乙烯等）不得放在儿童可以拿到的地方，因为可能会有潜在的危險。

日常维护：

- 水槽清洁操作简单快捷。尽管无孔表面可防止液体渗入材料，但最好立即使用柔软的非磨蚀性海绵和普通洗碗皂液清理，冲洗表面并使用微纤维布仔细擦干。

特别维护：

清除顽固污渍并不难：只需选择正确产品并正确使用即可。

- 对于浅色产品上形成的顽固污渍，可以使用漂白剂和温水溶液（按3:1的比例调配）清洁，将混合液倒在污渍上作用8个小时左右（建议在夜间操作），最后用大量清水冲洗，并用微纤维布仔细擦干整个表面。如果污渍持续存在，可以重复操作1-2次。
- 对于深色产品上形成的顽固污渍，可以用柔软的非磨蚀性海绵和普通洗碗皂液，直接作用在污渍上，轻轻打圈进行清除。最后用温水冲洗，并用微纤维布仔细擦干整个表面。如果污渍持续存在，可以重复操作1-2次。
- 要去除水垢污渍，我们建议使用温水稀释的防腐除垢剂。将溶液均匀分布在水槽的整个表面。用柔软的非磨蚀性海绵和普通洗碗皂液，轻轻打圈，让稀释防垢剂作用几分钟（按照产品标签上的说明和使用方法操作）。最后用温水冲洗，并用微纤维布仔细擦干。

- Avoid accidental impacts that could cause irreparable micro-damage.
- Do not place hot cookware, pans or coffee makers directly on the sink surface: stains from discolouration and/or damage could form in areas where hot items are placed.
- Avoid pouring boiling liquids directly into the sink without first turning on the cold tap and filling the sink with at least 1 cm of water, as this could damage the product.
- To prevent the build-up of limescale, it is recommended that a descaling treatment be completed at least once a week. This is recommended in particular for dark-coloured sinks.
- The packaging materials (plastic bags, expanded polystyrene, etc.) must not be left within reach of children as they are a potential hazard.

Routine Maintenance

Cleaning your Elleci Product is quick and simple. Even though the non-porous surface prevents liquids penetrating into the material, it is preferable to remove them immediately using a soft, non-abrasive sponge and standard dish detergent. You should then rinse the surface and dry it carefully using a microfibre cloth.

Non-Routine Maintenance

Cleaning stubborn stains is not difficult: all you need to do is choose the right product and use it correctly.

- For stubborn stains on light-coloured products, you can use a solution of bleach and warm water ($\frac{3}{4}$ to $\frac{1}{4}$), leaving it to act for eight hours (we recommend that this cleaning be performed during the night). Afterwards, rinse thoroughly and dry the entire surface carefully using a microfibre cloth. If the stains remain, the operation can be repeated one or two more times.
- For stubborn stains on dark-coloured products, you can remove them directly with a soft, non-abrasive sponge and standard dish detergent, using small circular movements. When finished, rinse using warm water and carefully dry the entire surface using a microfibre cloth. If the stains remain, the operation can be repeated one or two more times.
- To remove limescale stains, we recommend the use of a descaling product diluted with warm water. Distribute the solution uniformly over the entire surface of the product. Clean with a soft, non-abrasive sponge using small circular movements and leave the product to act for several minutes (follow the instructions and conditions for use on the product label). When finished, rinse using warm water and dry carefully using a microfibre cloth.

产品售后保修条款

摩恩产品是在高质量标准及生产工艺下制造的，摩恩承诺为消费者购买的洁具产品提供有期限免费保修及终身维修服务。

花岗岩厨盆免费保修期为1年，均自消费者购买日（以摩恩产品分销商开具的发票或收据上载明日期为准）起计。

免费保修范围为产品及产品配件（落水以及溢水等）由于材质及工艺原因而造成的故障或损坏。免费保修期内，我们将无偿为您提供维修服务及更换发生故障的产品或产品配件。摩恩的售后服务责任仅限于对故障产品的修理，而不延及您因产品故障而发生的其他损失，法律另有规定的除外。

您需了解：产品外观碰伤、刻划痕迹，以及滥用及不正当保养所导致的故障或损坏，均不属于免费保修范围。即使在免费保修期内，属下列（1）-（5）情况之一的，需酌情收取修理费用：

1. 不能出示相符的保修卡和有效购买凭证情况的，
2. 未按使用说明告知的使用方法和注意事项造成的故障，
3. 自行拆卸、维修、改装所造成的故障和损坏，
4. 由于不可抗力等外部原因引起的故障和损坏，
5. 由于运输、搬卸、挤压等造成的损坏。

对于保修期外或不在保修范围内的产品，如需维修，摩恩将酌情收取上门费、人工费及材料费。

本保修条款仅对原始消费者和酒店行业的购买者有效，并不适用于本产品工业，商业，贸易和非酒店行业的使用。

如对本保修条款内容有任何疑问，请拨打400 630 8866 咨询热线，或向当地分销商咨询。

MOEN 摩恩

合格证
Compliance Certification

产品名称 花岗岩厨盆
Product Name Granite Sink

检验员 _____
Inspector _____

生产日期 _____
Date of Production _____

摩恩（上海）厨卫有限公司
中国（上海）自由贸易试验区富特北路399号
邮编：200131

MOEN (SHANG HAI) KITCHEN & BATH CO., LTD
No. 399 Fute North RD, China (Shanghai) Pilot Free Trade Zone,
Shanghai 200131 P.R. China

MOEN LIMITED WARRANTY

We offer limited warranty and lifetime maintenance for Moen products, which are all manufactured with high standards of workmanship.

The period of warranty shall start from the date of purchase of the product (according to the invoice or receipt issued by Moen distributors) and shall cover a period of the following: the warranty period for granite sink is 5 years.

This warranty is your coverage against material and workmanship malfunction or defects in Moen products or components (such as shower bar, hose, shower, drain assembly, handle, cover, lift rod, aerator etc.). During the warranty period, we offer free maintenance and changing of malfunctioned products or product components. Moen's after sales service liability is limited to the maintenance of faulty items and does not cover your other losses caused by product malfunction, except for otherwise stipulated by law.

Cosmetic damages (scratches, dents, etc.) and malfunction or defects caused by abuse or improper maintenance is not covered by this warranty. Although the warranty period remains valid, in case of the following conditions (1) - (5), the maintenance cost (material cost and labor cost) shall still be charged as the case may be:

1. Corresponding warranty card and valid invoice cannot be presented;
2. Faults were caused by the incompliance with the instructions and precautions provided in the user's manual;
3. Damages and faults were caused by self-actuated dismantling, repair and refit;
4. Faults and damages were caused by external factors such as force majeure;
5. Damages were caused by transportation, unloading and extrusion, etc.

This warranty is valid for the original consumers only (including hotel use), and excludes industrial and commercial use of the product (except for hotel use). This card is only responsible for product maintenance rather than any other liabilities.

In the event that the product requires maintenance but exceeds the warranty period, or that the product is not covered by this warranty, labor cost and material cost shall be charged as the case may be.

Please call 400-630-8866 or contact local dealer for any question.