

MOEN® 摩恩

Specifications

DESCRIPTION

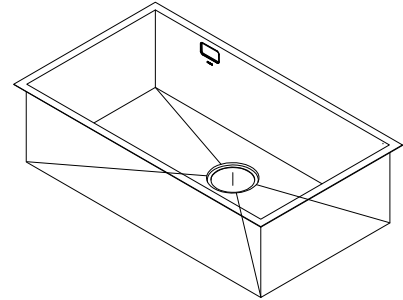
- Stainless steel Single bowl sink
- SS.304 construction, thickness, 1.0mm
- Under mounting, mounting hardware included
cutout size : 650mmX380mmXR0mm
- Sounds Shield system

STANDARD

- Comply with GB T 38474-2020

WARRANTY

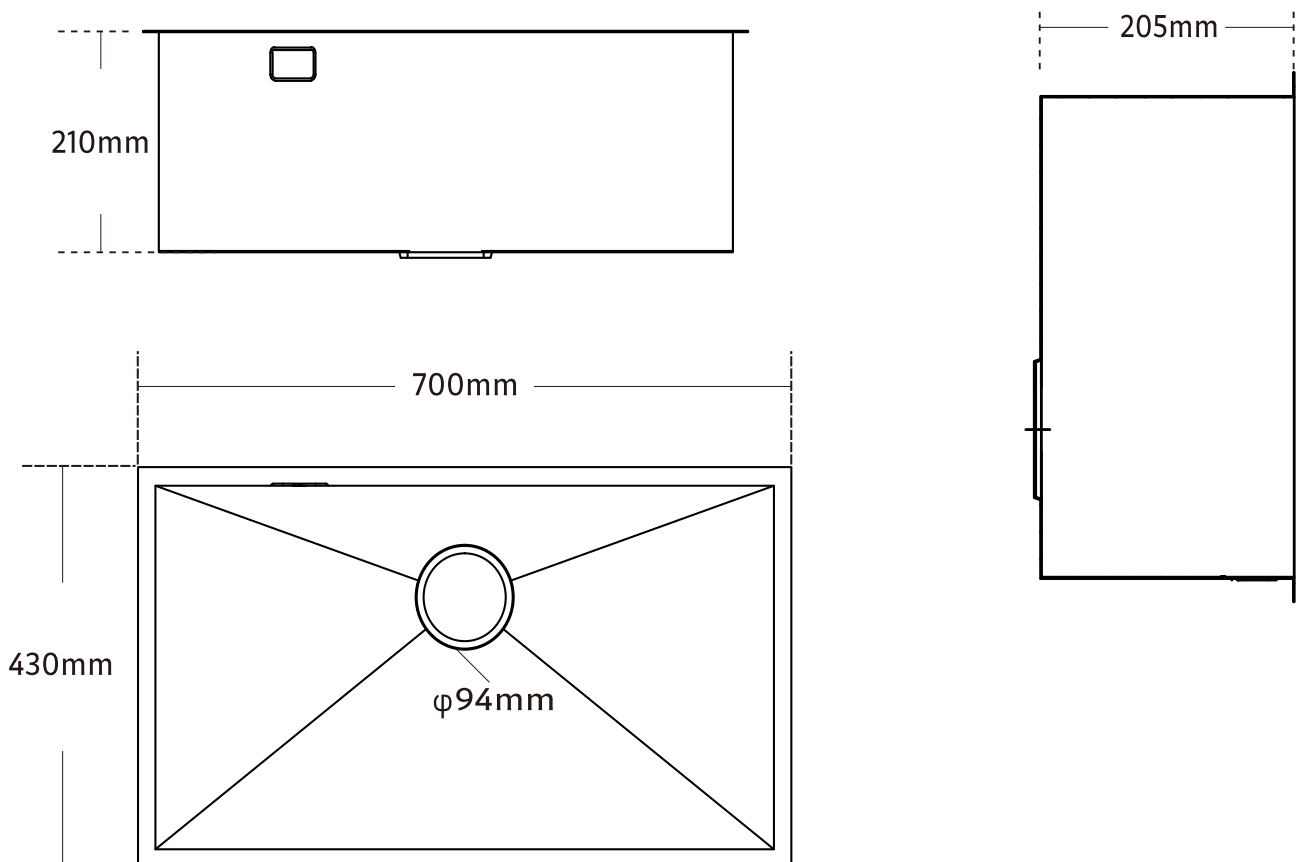
- 5 years limited warranty against leaks and drips
- 1 year limited warranty for sink accessories



Stainless Steel Single Bowl Sink

Models: SK91531series

SKU No	Drainer	Pipe	Hole ϕ 28	Accessory	Package	Moen Color
SK35531C	SB49	SKH45	No	N/A	E-Commerce Single	Satin
SK91531C	SB49	SKH45	No	N/A	Retail Single	Satin
SK91531	NA	NA	No	N/A	Retail Single	Satin



CRITICAL DIMENSIONS DO NOT SCALE