

MOEN® 摩恩

Specifications 规格书

产品描述

- 不锈钢沥水篮
- 产品规格: L:360/480 × W:250 × H:100(mm)

标准

- 符合Q/MESN 4-2022

质保期

- 1年有限保修, 人为损坏和化学品侵蚀除外

DESCRIPTION

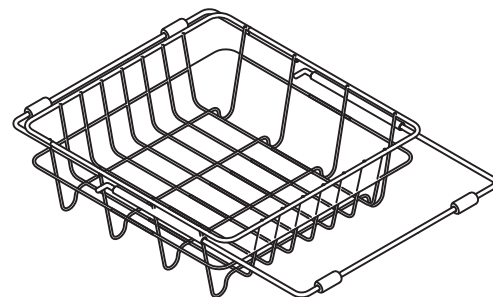
- Stainless steel drain basket
- Product specifications: L:360/480 × W:250 × H:100(mm)

STANDARD

- Comply with Q/MESN 4-2022

WARRANTY

- 1 year limited warranty except artificial damage and chemicals erosion

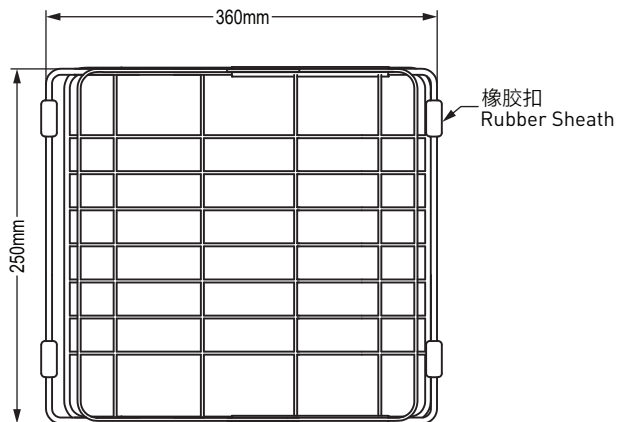
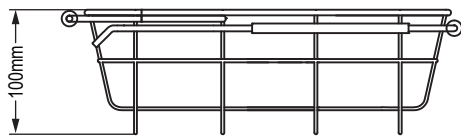


沥水篮

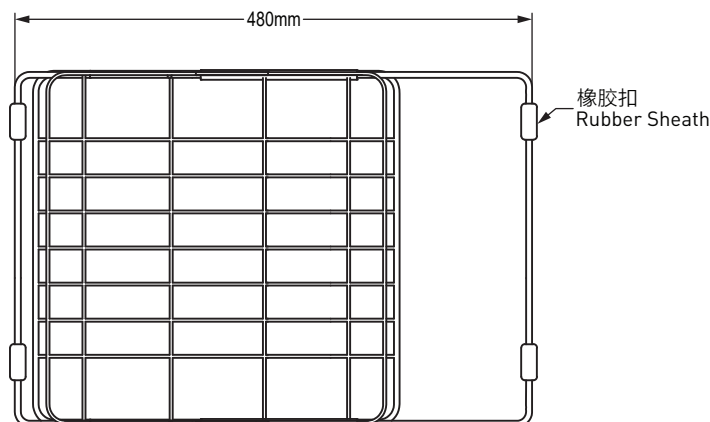
Drain Basket

型号: SKA11 系列

MODELS: SKA11 series



收缩 Contractility



打开 Open

CRITICAL DIMENSIONS DO NOT SCALE